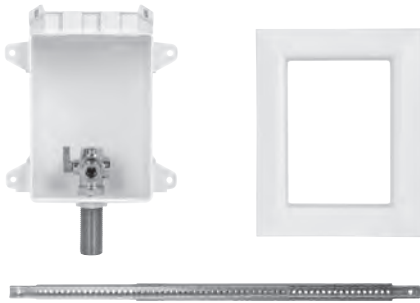
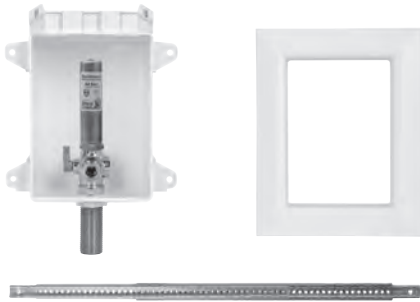


Standard Pack



696R1001MF

Mini-Rester™ Standard Pack



696RG1011MF



**Fire-Rated Ox Box™**

Toilet/Dishwasher Outlet Box

Patent #7,360,553 & #7,735,511

- ABS boxes mount securely to stud or over studs
- Eliminates cleaning stub outs and installing supply stops at finish
- Debris covers included
- High-quality quarter-turn ball valves

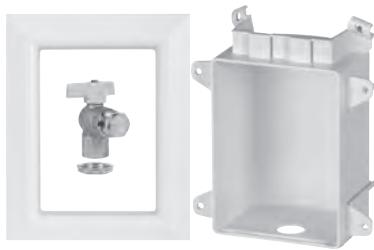
Item No	Shank Connection	<b>NO LEAD</b>	Pkg	Min Qty	Case Qty
<b>STANDARD PACK</b>					
696R1001MF	1/2" female sweat		B*	10	10
696R1001CF	1/2" CPVC male		B*	10	10
696R1001XF	1/2" PEX F1807		B*	10	10
696R1001AF	1/2" PEX F2080		B*	10	10
696RG1001MF	1/2" female sweat, no lead	✓	B*	10	10
696RG1001CF	1/2" CPVC male, no lead	✓	B*	10	10
696RG1001XF	1/2" PEX F1807, no lead	✓	B*	10	10

**Ox Box™**

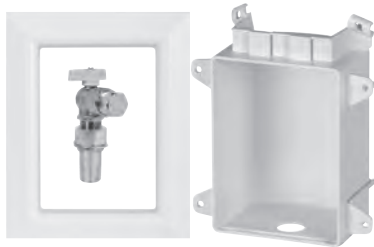
Gas Valve Outlet Box & Fire-Rated Gas Valve Outlet Box

Patent #7,360,553 & #7,735,511

- 1/4-turn ball valve for easy, secure, accessible operation
- Box is available for 1/2" or 3/4" iron-pipe applications or 1/2" CSST applications in both standard and fire-rated products
- Recessed box is made of high-impact ABS providing the strongest finished installation for all gas appliance needs
- Valve has CSA certification to ANSI Z21.15-1997 / CGA 9.1-M97



696-1020GF



696-1021GF



Item No	Connection	Pkg	Min Qty	Case Qty
<b>GAS OX BOX</b>				
696-1021GF	1/2" NPT valve and adapter for iron pipe, bagged	B*	6	6
696-1031GF	3/4" NPT valve and adapter for iron pipe, bagged	B*	6	6
696-1020GF	1/2" FIP valve for CSST connection, bagged	B*	6	6
<b>FIRE-RATED GAS OX BOX</b>				
696R1021GF	1/2" NPT valve and adapter for iron pipe, bagged	B*	10	10
696R1031GF	3/4" NPT valve and adapter for iron pipe, bagged	B*	10	10
696R1020GF	1/2" FIP valve for CSST connection, bagged	B*	10	10